



MEDALLIONS RINGS & ROSETTES



PL PREMIUM ADHESIVE MUST BE USED ON ALL BEDDING/BUTT JOINTS.

SPECTIS RESERVES THE RIGHT TO HOLLOW OUT BACK OF ANY PRODUCTS WITHOUT NOTICE.

MEDALLIONS, RINGS & ROSETTES



Photo above illustrates a Spectis custom entrance with medallion CM 4671.



CM 1221
• 12" w. x 21" h.



CM 1313R
• 12 5/16" Diameter

CM 1818R
• 18 3/8" Diameter

CM 2424R
• 24 3/8" Diameter

CM 3131R
• 31" Diameter



CM 1515
• 15" Diameter



CM 1717
• 17 1/4" Diameter



CM 1818
• 18 7/8" Diameter



CM1717SM
• 17" Diameter
• 3" Hole



CM 1818C
• 17 3/4" Diameter
• 4 1/8" Hole



CM 2020
• 20 3/4" Diameter
• 3" Hole



CM 1818SB
• 18 3/8" Diameter



CM 2121
• 21" Diameter
• 1 3/8" Hole

CM 2424SB
• 24 3/4" Diameter

CM 3131SB
• 31" Diameter

1 • 8 0 0 • 6 8 5 • 9 9 8 1



MEDALLIONS, RINGS & ROSETTES



Photo above illustrates the use of the following Spectis products: medallion CM 3434 and moulding MD 1237

CM 2222

- 22" Diameter
- 2 3/8" Hole



CM 2121FL-21

- 21" Diameter
- 3 3/8" Hole



CM 2121FL-33

- 33" Diameter
- 3 3/8" Hole

CM 2424

- 24 1/8" Diameter
- 1 5/8" Hole



CM 2424S

- 24 1/8" Diameter
- 1 5/8" Hole



CM 2626

- 25 1/2" Diameter
- 3 1/4" Hole



CM 2626L

- 25 1/8" Diameter
- 3 5/8" Hole

CM 2717

- 27" w. x 17 1/2" h.
- 7/8" Hole



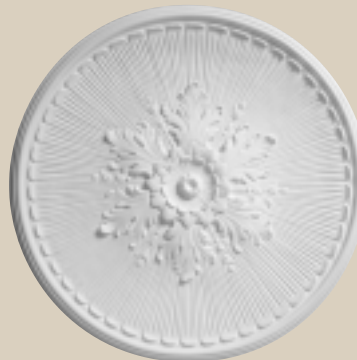
CM 2828S

- 27 1/2" Diameter
- 1" Hole



CM 2828

- 28 1/8" Diameter



CM 2929

- 28" Diameter

www.spectis.com



PL PREMIUM ADHESIVE MUST BE USED ON ALL BEDDING/BUTT JOINTS.

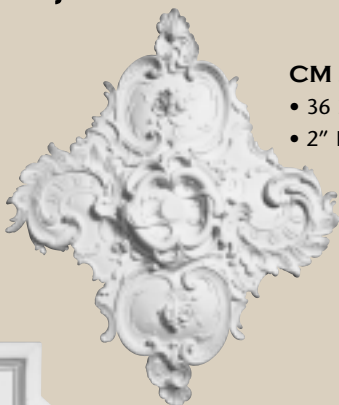
MEDALLIONS, RINGS & ROSETTES



CM 3030
• 29 3/4" Diameter



CM 3137
• 36 3/4" w. x 31 3/8" h.
• 2" Hole



CM 3333
• 32 1/2" Diameter
• 3 3/8" Hole



CM 3434
• 32 3/8" Diameter
• 4 1/4" Center



CM 4471
• 44" w. x 71" h.



CM 3535
• 35" Diameter
• 3 1/2" Hole



CM 4747
• 45 1/4" Diameter
• 1 1/8" Hole



CM 4671
• 46" w. x 71" h.



1 • 8 0 0 • 6 8 5 • 9 9 8 1



MEDALLIONS, RINGS & ROSETTES



CP 2900

- 23 5/8" Square
- 2 7/8" Projection



CP 2901

- 23 5/8" Square
- 2 7/8" Projection



CP 2902

- 23 5/8" Square
- 1 7/16" Projection



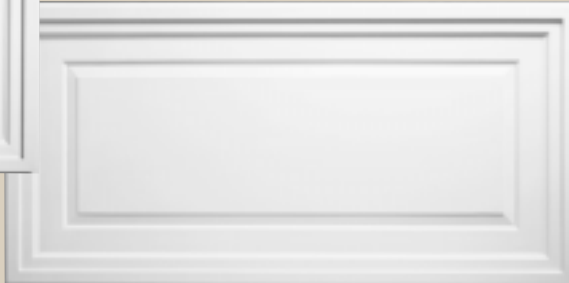
Photo above shows the following Spectis products: ceiling panels CP 2900 and CP 2902.

CEILING PANELS



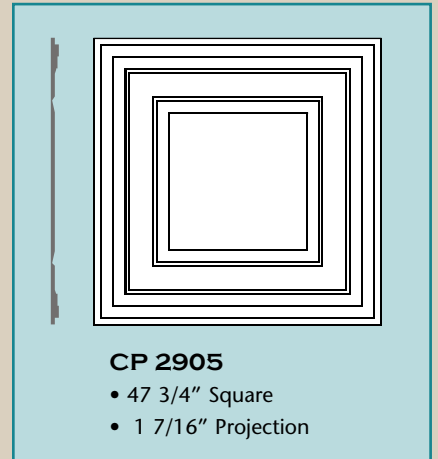
CP 2904

- 23 5/8" Square
- 1 7/16" Projection



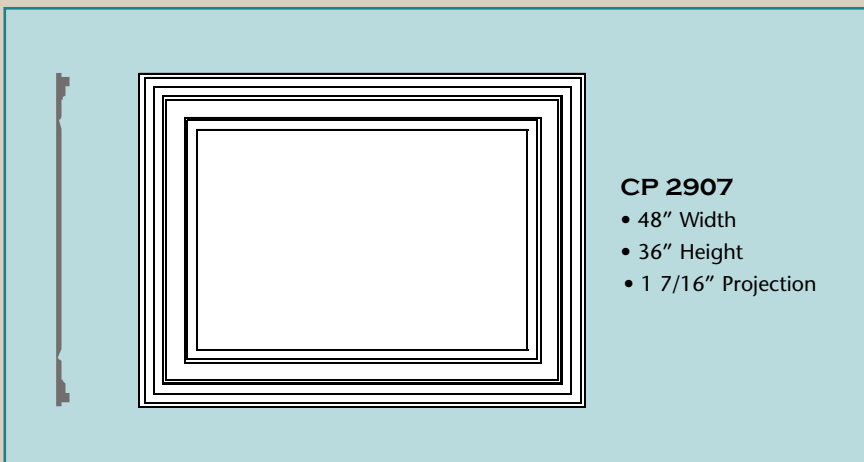
CP 2903

- 47 3/4" Width
- 23 3/4" Height
- 1 7/16" Projection



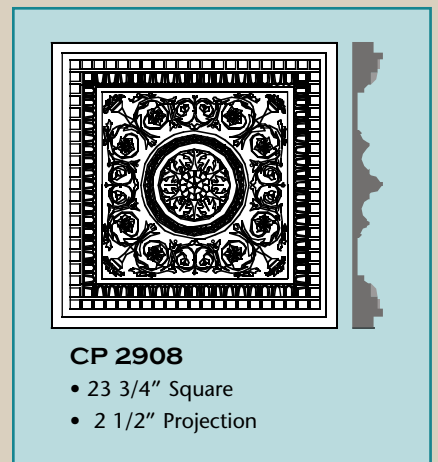
CP 2905

- 47 3/4" Square
- 1 7/16" Projection



CP 2907

- 48" Width
- 36" Height
- 1 7/16" Projection



CP 2908

- 23 3/4" Square
- 2 1/2" Projection



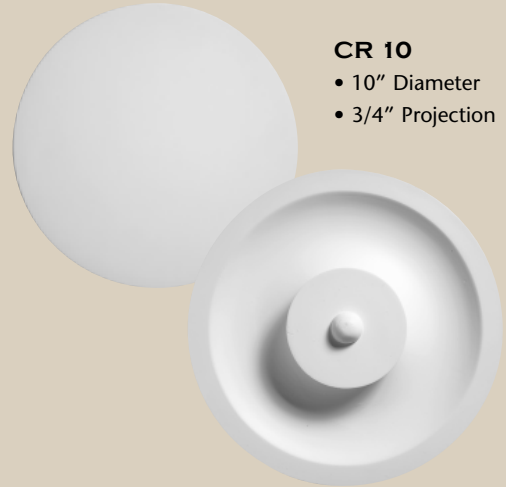
MEDALLIONS, RINGS & ROSETTES



CR 1
• 1 1/4" Square
• 3/8" Projection



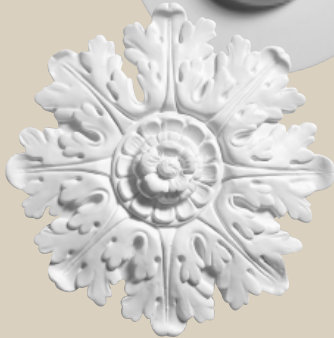
CR 7
• 7 5/8" Diameter
• 1" Projection



CR 10
• 10" Diameter
• 3/4" Projection



CR 5
• 5" Diameter



CR 9
• 8 3/4" Diameter

ROSETTES



CR 66
• 5 7/8" Diameter



CR 33
• 3 3/4" Square
• 1 1/2" Projection



CR 74
• 5 1/8" w. x 5 1/8" h.
• 9/16" Projection
• Use with MD 1107



CR 83
• 8 1/2" w. x 3 3/8" h.

CR 55
• 5 1/4" Square
• 2 1/2" Projection



CR 77
• 5 3/4" Width
• 6 3/4" Height
• 1" Projection



CR 84
• 8" w. x 3 11/16" h. x 1" p.

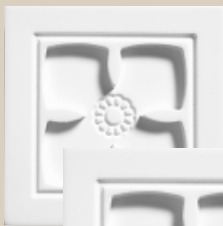


CR 133
• 3 1/2" w. x 3 1/2" h. x 1/2" p.

1 • 800 • 685 • 9981



MEDALLIONS, RINGS & ROSETTES



CR 331
• 3 1/2" Square
• 1" Projection



CR 441
• 4 7/8" Square
• 1" Projection



CR 550
• 5 3/8" Square
• 1" Projection



CR 551
• 5 3/4" Square
• 1 13/16" Projection



CR 661
• 6 7/16" Square
• 1" Projection

MOULDING ROSETTES



MR 3250
• 9" Square
• 1 1/8" Projection



MR 3251
• 3 13/16" Square
• 1 1/8" Projection



MR 3252
• 5 1/2" Square
• 1 1/8" Projection



MR 3253
• 5 1/2" Square
• 1 1/4" Projection



MR 3254
• 3 1/2" Square
• 1 1/4" Projection



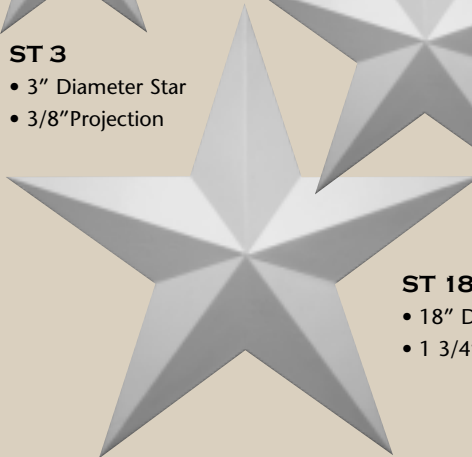
MR 3255
• 3 1/2" Square
• 3/4" Projection



ST 3
• 3" Diameter Star
• 3/8" Projection



ST 12
• 12" Diameter Star
• 7/8" Projection



ST 18
• 18" Diameter Star
• 1 3/4" Projection





MEDALLIONS, RINGS & ROSETTES

NOTICE :

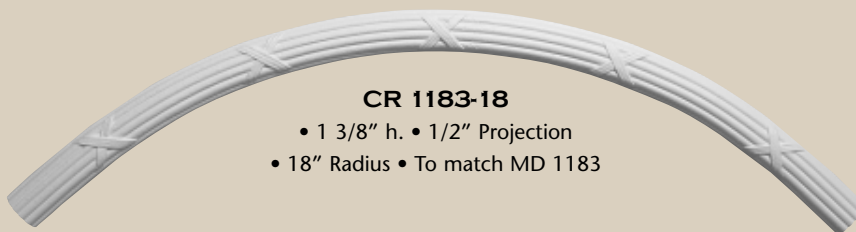
PL PREMIUM ADHESIVE MUST BE USED ON ALL BEDDING/BUTT JOINTS.



Photo above shows the use of Spectis medallion CM 4747.

FINISHING

All Spectis' products are shipped "double primed" with an exterior grade latex and are ready for use. We recommend final finishing after installation is complete for the most consistent appearance possible. Please see "finishing" recommendations (on page 175) for more information.

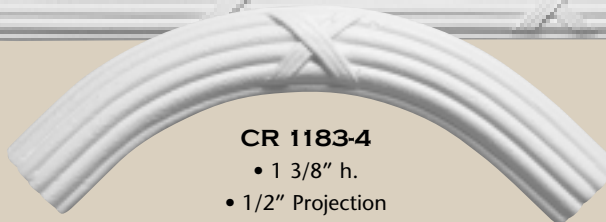


CR 1183-18

- 1 3/8" h. • 1/2" Projection
- 18" Radius • To match MD 1183



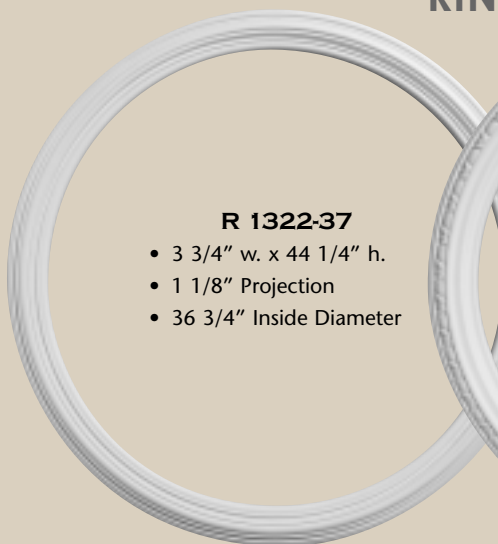
MD 1183



CR 1183-4

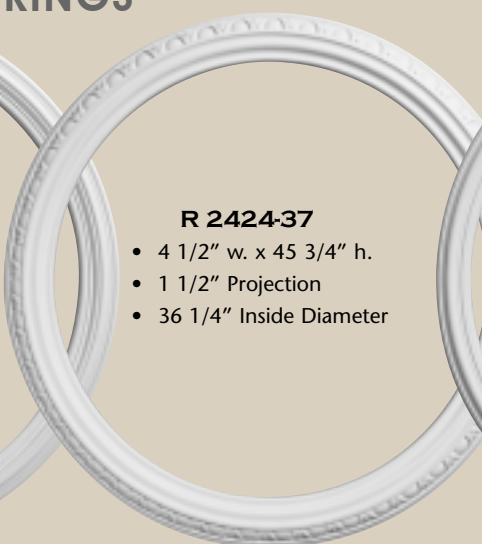
- 1 3/8" h.
 - 1/2" Projection
 - 4 1/2" Radius
- to match MD 1183

RINGS



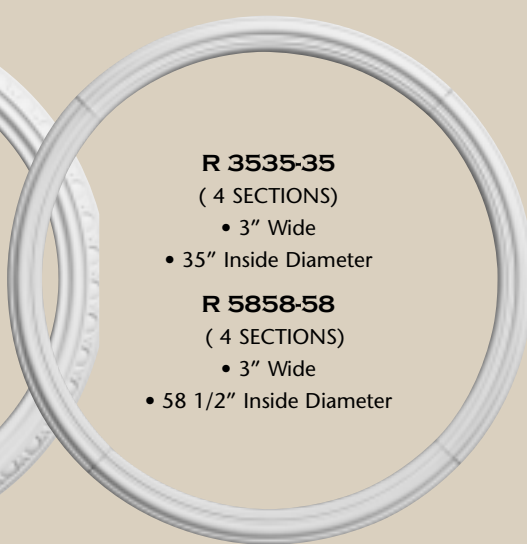
R 1322-37

- 3 3/4" w. x 44 1/4" h.
- 1 1/8" Projection
- 36 3/4" Inside Diameter



R 2424-37

- 4 1/2" w. x 45 3/4" h.
- 1 1/2" Projection
- 36 1/4" Inside Diameter



R 3535-35

(4 SECTIONS)

- 3" Wide
- 35" Inside Diameter

R 5858-58

(4 SECTIONS)

- 3" Wide
- 58 1/2" Inside Diameter

1 • 8 0 0 • 6 8 5 • 9 9 8 1

